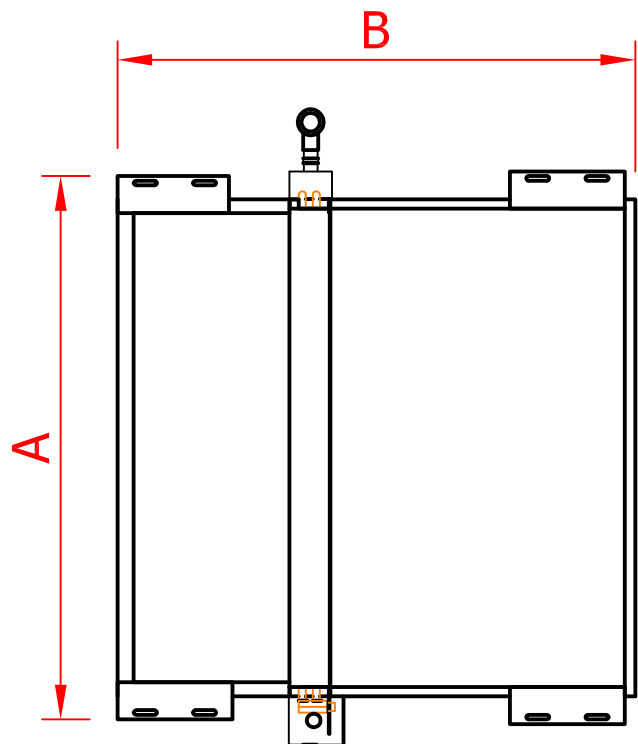


PERFORMANCE

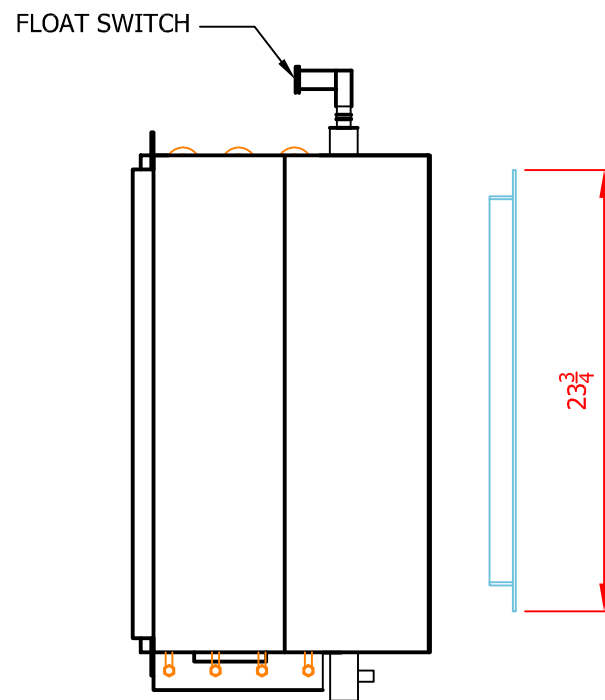
MODEL	PRIMARY CFM	TOTAL CFM	COOLING CAPACITY (BTUH)			HEATING CAPACITY (BTUH)	NC	NOZZLE PR. Inches.Water	GRILLE SIZE
			PRIMARY	SECONDARY	TOTAL				
1-MLD-120	170	527	3672	6494	10166	16686	28	1.04	24x48
1-MLD-88	130	403	2808	5214	8022	12410	30	1.06	24x48
1-MLD-64	90	279	1944	4077	11112	9240	25	1.0	24x48 24x24
1-MLD-48	70	217	1512	3318	4830	7404	24	1.0	24x48 24x24

Cooling Coil Capacities are based on : T Room - T Entering water = 25° F
 1.5 GPM water flow per Coil
 Heating Capacities are based on : T Room - T Entering water = 110° F and 0.8 GPM
 Primary air capacities are based on ΔT = 20° F
 For specific CFM/Capacity selection, please refer to EBA Induction Unit Catalogue

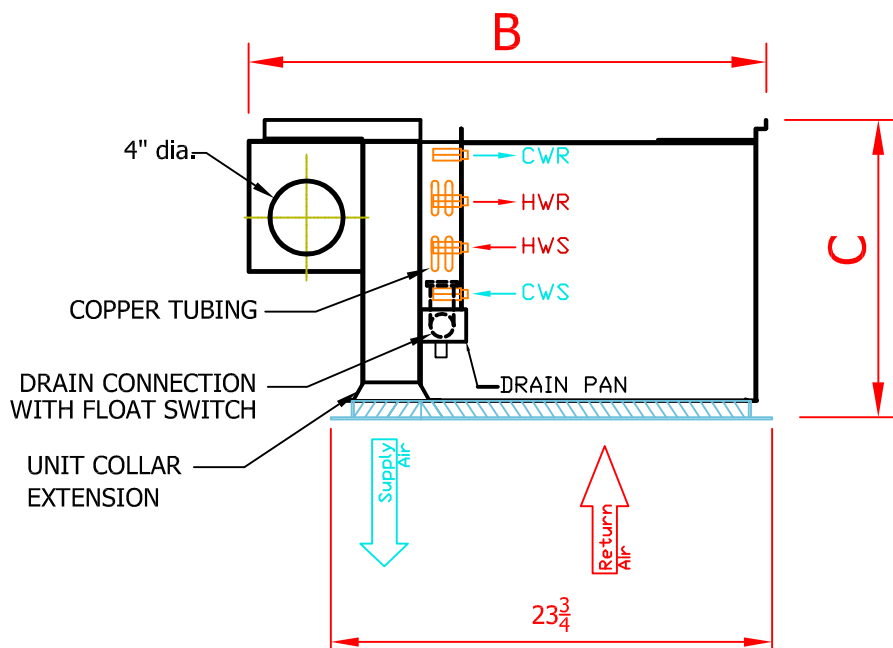
MODEL	DIMENSIONS (INCH)		
	A	B	C
1-MLD-120	51.5	28	16
1-MLD-88	38.75	28	16
1-MLD-64	29.25	28	16
1-MLD-48	23	28	16



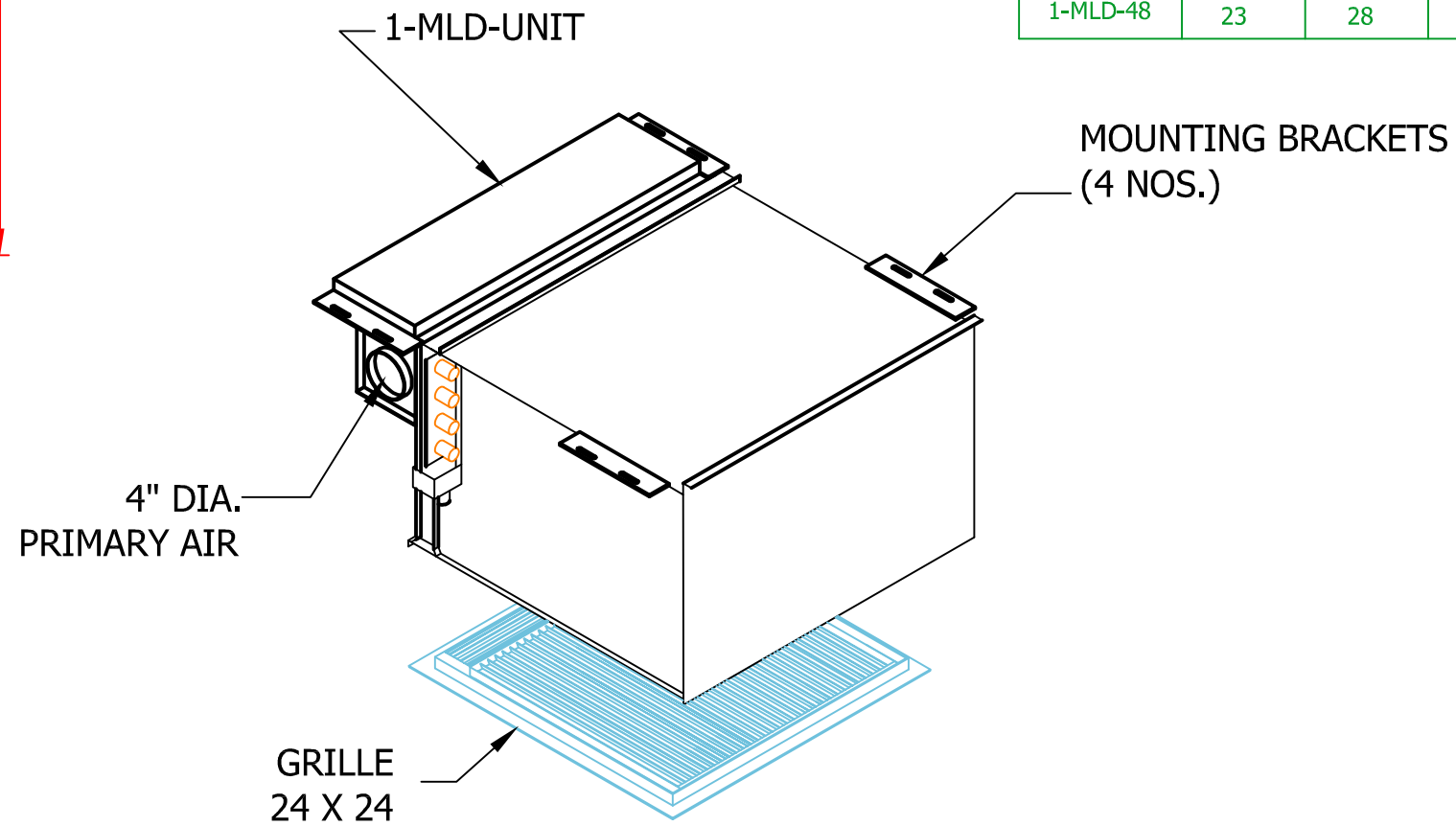
PLAN VIEW



SIDE VIEW



FRONT VIEW



ISOMETRIC VIEW

- NOTES:
1. ALL DIMENSIONS ARE IN INCHES.
 2. 2 ROW - 4 PIPE COIL CONFIGURATION
 3. 2 PIPE COIL OPTION ALSO AVAILABLE

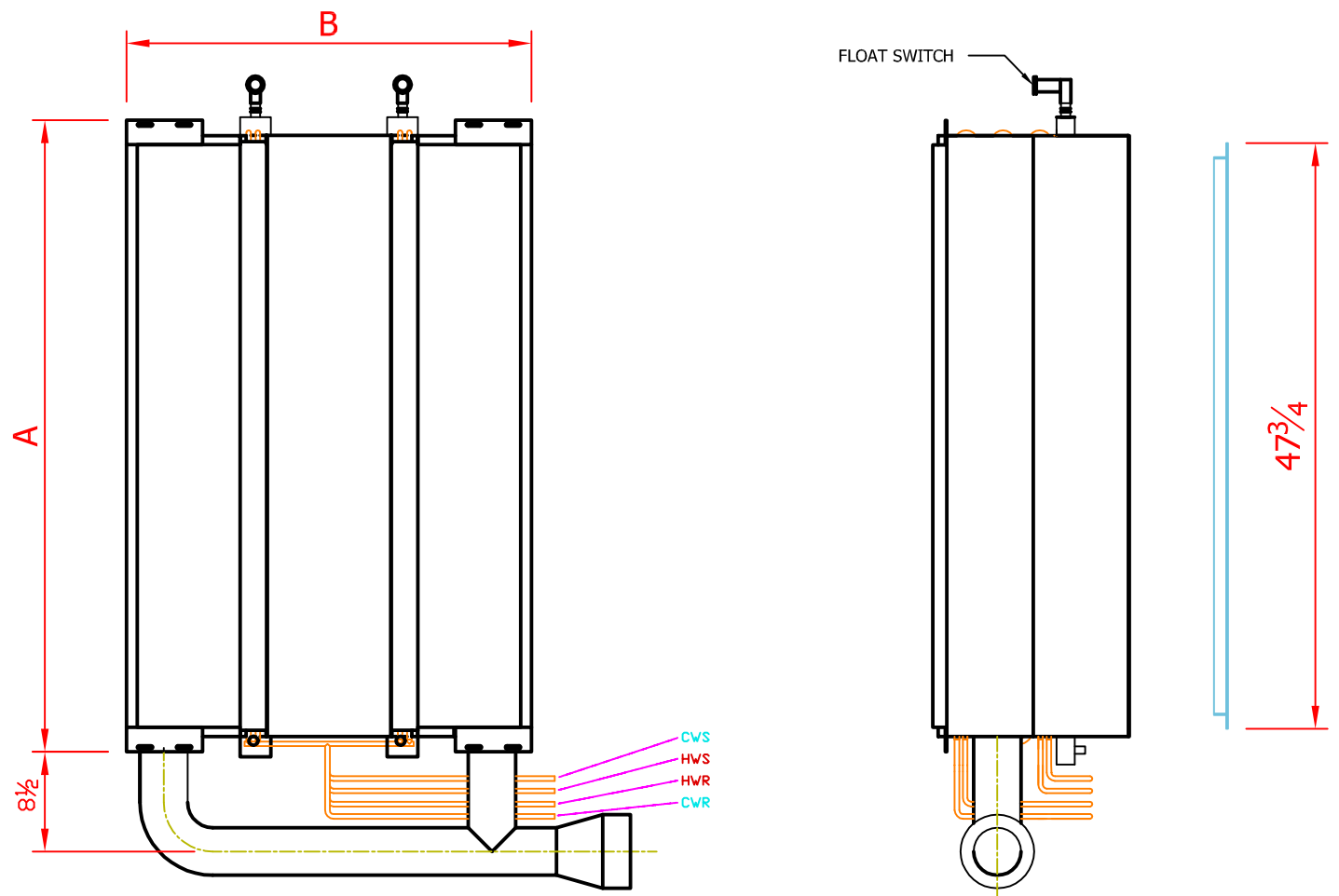
REV	DATE	BY	REVISION DETAILS

This document contains confidential information proprietary to EB AIR CONTROL INC. No portion may be produced or disclosed to others, used in any way, except as authorised in writing by EB AIR CONTROL INC.

EB AIR Control Inc.
 ISO 9001:2000 CERTIFIED
 KTA 1401 CERTIFIED
 STD TOLERANCE (Unless otherwise specified)
 .X .XX .XXX
 ±.1" ±.05" ±.03"

EB AIR CONTROL INC.
 6581 Krimat Road, Unit # 7, Mississauga, L5N 3T5

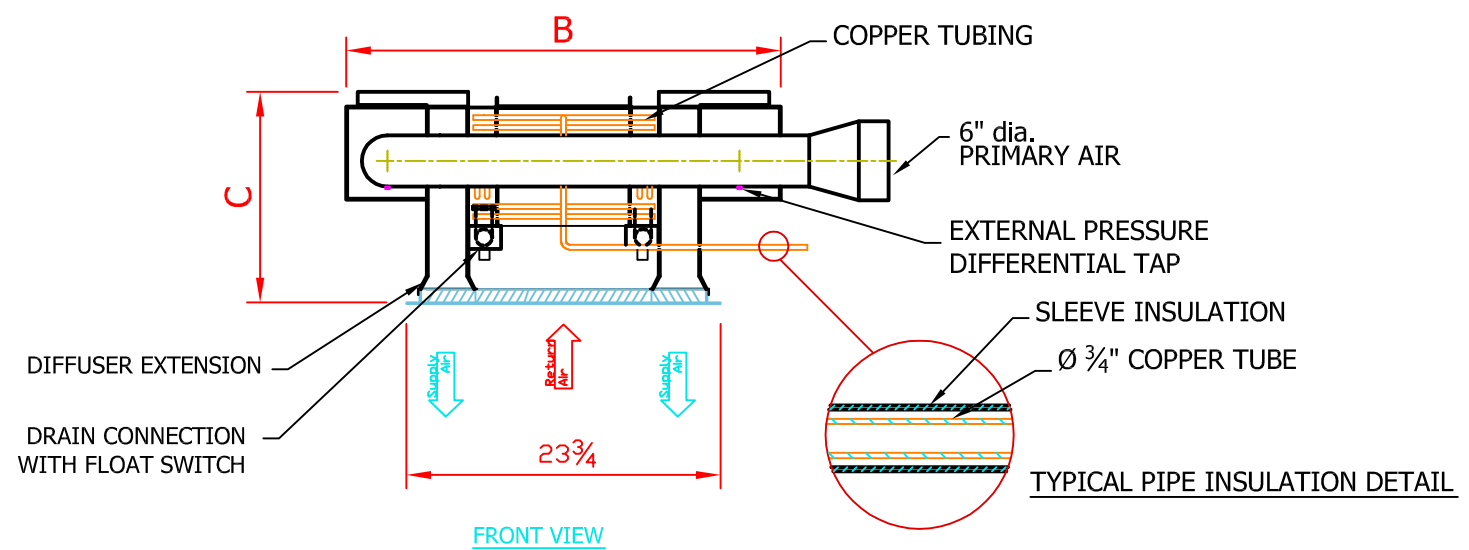
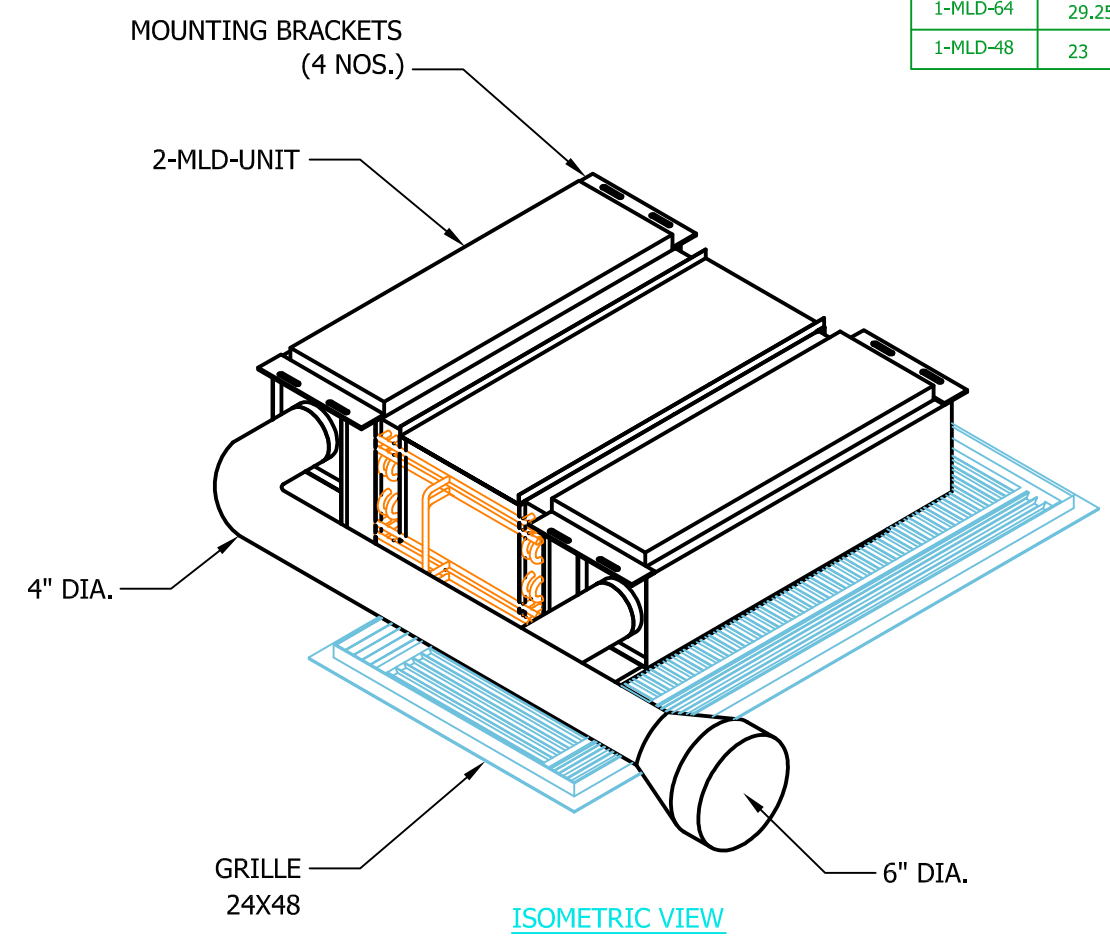
CUSTOMER :
 DRAWN BY: J.R. CHKD BY: VD DATE: 11-11-09 SCALE: NTS PROJ MGR:
 PROJECT :
 MODEL: 1-MLD-ATCBU DRAWING CONTENT: AIR TERMINAL CHILLED BEAM UNIT
 QTY : DRAWING NUMBER: 1-MLD-ATCBU-SUBMITTAL



PERFORMANCE									
MODEL	PRIMARY CFM	TOTAL CFM	COOLING CAPACITY (BTUH)			HEATING CAPACITY (BTUH)	NC	NOZZLE PR. Inches, Water	GRILLE SIZE
			PRIMARY	SECONDARY	TOTAL				
2-MLD-120	340	1054	7344	12988	20332	33372	31	1.04	24x48
2-MLD-88	260	806	5616	10428	16044	24820	33	1.06	24x48
2-MLD-64	180	558	3888	8154	12042	18480	28	1.0	24x48 24x24
2-MLD-48	140	434	3024	6636	9660	14808	27	1.0	24x48 24x24

Cooling Coil Capacities are based on : T Room - T Entering water = 25° F
 1.5 GPM water flow per Coil
 Heating Capacities are based on : T Room - T Entering water = 110° F and 0.8 GPM
 Primary air capacities are based on ΔT = 20° F
 For specific CFM/Capacity selection, please refer to EBA Induction Unit Catalogue

MODEL	DIMENSIONS (INCH)		
	A	B	C
1-MLD-120	51.5	33	16
1-MLD-88	38.75	33	16
1-MLD-64	29.25	33	16
1-MLD-48	23	33	16



- NOTES:
1. ALL DIMENSIONS ARE IN INCHES.
 2. 4 PIPE COIL CONFIGURATION
 3. 2 PIPE COIL OPTION ALSO AVAILABLE

REV	DATE	BY	REVISION DETAILS

This document contains confidential information proprietary to EB AIR CONTROL INC. No portion may be produced or disclosed to others, used in any way, except as authorised in writing by EB AIR CONTROL INC.

EB AIR Control Inc.
 ISO 9001:2000 CERTIFIED
 KTA 1401 CERTIFIED

STD TOLERANCE (Unless otherwise specified)
 .X .XX .XXX
 ±.1" ±.05" ±.03"

EB AIR Control Inc.
 6581 Kitimat Road, Unit # 7, Mississauga, L5N 3T5

CUSTOMER :

DRAWN BY: J,R, CHKD BY: VD DATE: 11-11-09 SCALE: NTS PROJ MGR:

PROJECT :

MODEL: 2-MLD-ATCBU DRAWING CONTENT: AIR TERMINAL CHILLED BEAM UNIT

QTY: DRAWING NUMBER: 2-MLD-ATCBU-SUBMITTAL

FILENAME